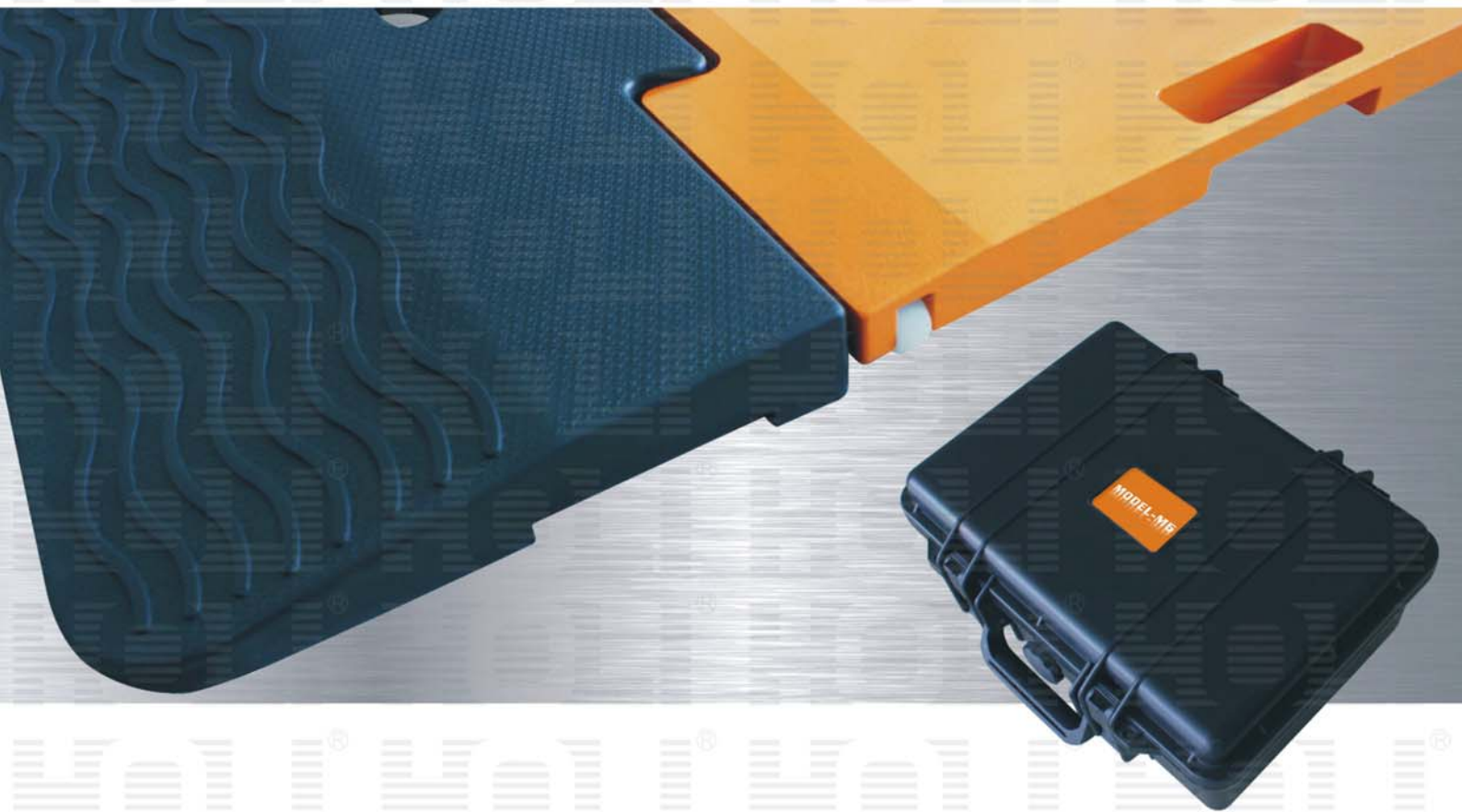


PAW - C

- STRONG
- DURABLE
- WATER PROOF
- EASY MOVE
- FASHION
- ATTRACTIVE



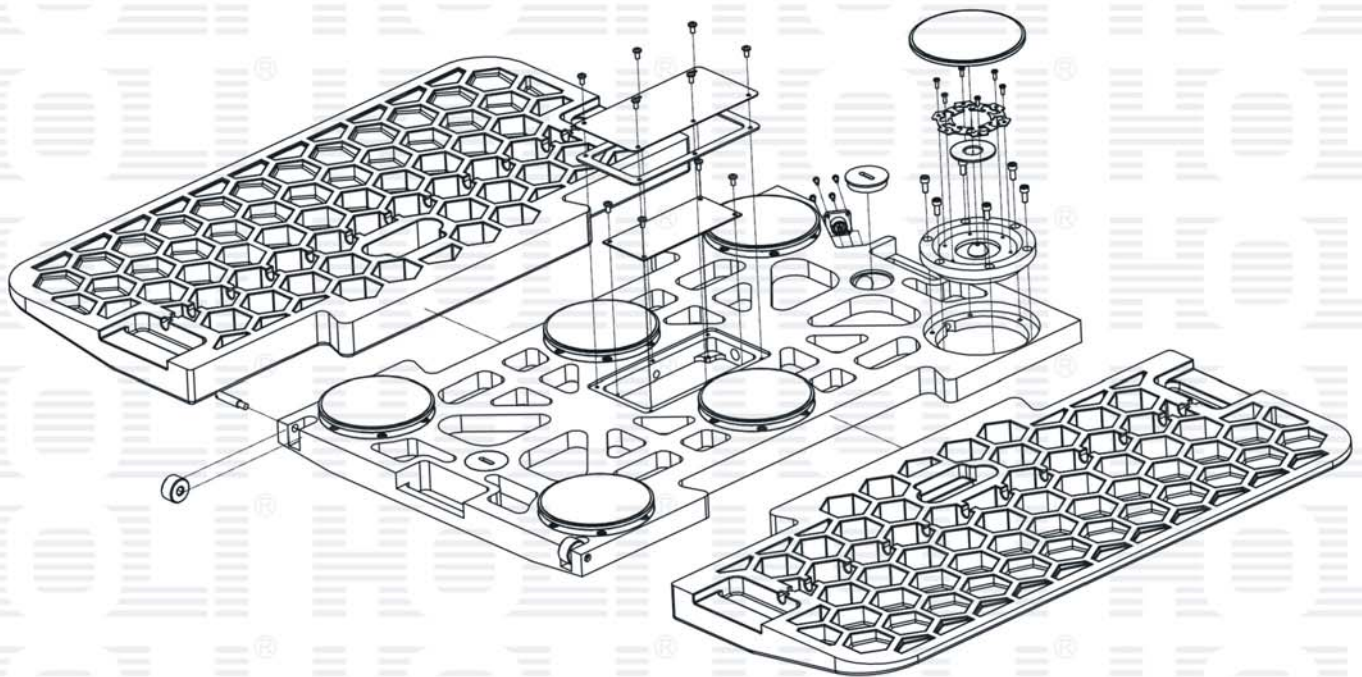
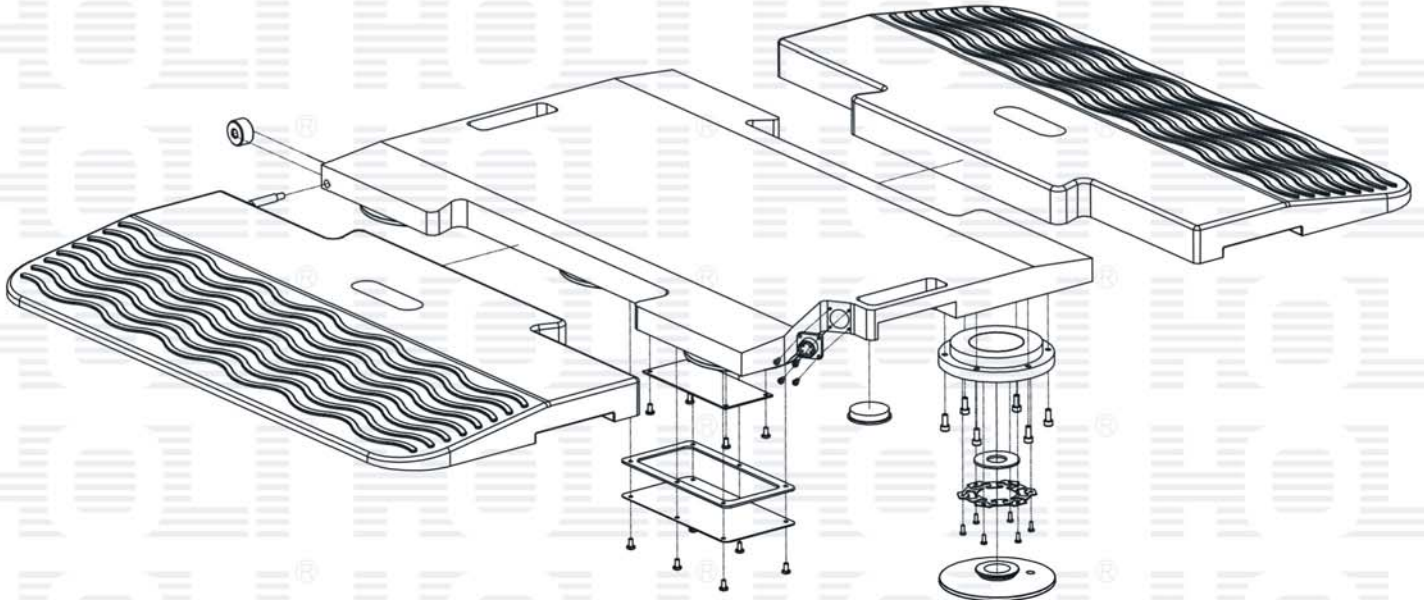
HOLI®

PAW - C

Unprecedented Price Advantage

Exquisite Artwork

Ready stock for immediately delivery



M6 Indicator



WIRED VERSION

**M6
STATIC WEIGHING
&
IN-MOTION WEIGHING**

WIRELESS VERSION

**M6
STATIC WEIGHING
&
IN-MOTION WEIGHING**



- 1 Connections**
It can connect up to 8 weighing pads.
- 2 Main board**
Running on Windows CE 6.0 system with good compatibility. 4 Cores ARM CPU, 2GB Memory with 4GB Hard Disk.
- 3 Display**
The XK3101-M6 indicator comes high-definition Touch Screen. 7" screen as default
- 4 Indicator Shell**
Indicator shell adopts with military grade material, compression resistance, damp-proof by sealing.
- 5 Printer**
XK3101-M6 indicator is built-in a high speed thermal printer, printer receipts with 100mm/sec and 202DPI resolutions.
- 6 Interface**
Hook up to a PC or a remote display through the RS232, USB2.0 serial interface port.
- 7 Tooling Box**
Mouse, printng paper, etc can be stored in.
- 8 Interface connector**
Interface connectors use Germany Phoenix (electrical interface is silver plated, the electrical

Model	M6
Details	* For both Static Weighing & In-Motion Weighing
	* High-definition Touch Screen
	* With high speed thermal Printer
	* Standby working 40 hours battery with auto switch off function
	* Unlimited Records stored.
	* Running on Windows CE 6.0 system with good compatibility
	* FREE Program upgrade.
	* 2 Channels system as default
	* 4 / 6 / 8 channels system are optional
	* RS232, USB2.0 as default (on Wireless edition USB 2.0 & WIFI as default). Blue tooth & USB3.0 are optional.
	* 30 meters working distance for wireless version.
	* Each Wheel Weight
	* Each Axle Weight
	* Total truck weight
	* Excel, text or Database file output
* Multiple Languages Supported (Default: English and Chinese. Other languages are optional if required. If require other language, please send the translation to us.)	
* 4 Cores ARM CPU, 2GB Memory with 4GB Hard Disk (Higher level is optional)	
* Starting LOGO is customized	
* SMS message, iOS application, Android application are optional	
* 7" screen as default, 10", 13" screen are optional.	

Attentions:

- 1** Two portable weighing pads must be on the same line.
- 2** The longitudinal separation must up to 1.5-2 times than the distance of vehicle length.
- 3** There must be no turning action within 10 meters away from the weighing pads.
- 4** There must be no accelerating or braking action when vehicle goes on or gets down from the pads.
- 5** The weighing pads must be placed in the pavement of the flat and hard clean.



PAW - C



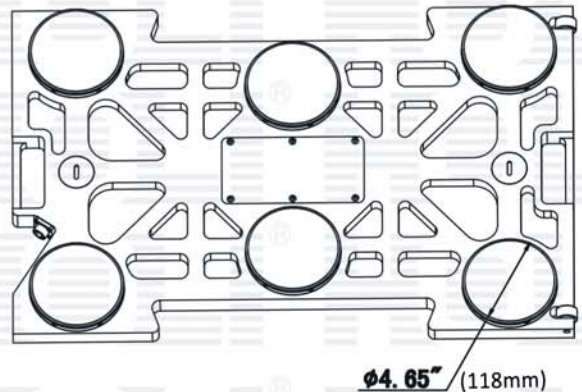
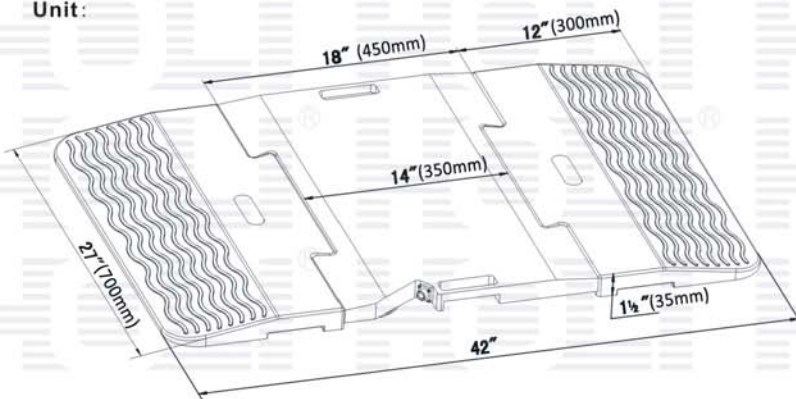
Model	Each Pad Dimension (INCH)	Each Ramp Dimension (INCH)	Max Axle Capability (2 Pads) (LB)	Details
PAW-C	27"x18"x1½" 700x450x35mm	27"x12"x1½" 700x300x35mm	≤66000lb (30t)	Load cell: 6 Load cell. (dimension, there are 4 load cells installed) In-Motion Speed: ≤8km/h. (*In motion weighing is only available with M3 indicator)
	35"x20"x1½" 900x500x35mm	35"x14"x1½" 900x350x35mm	≤88000lb (40t)	
Advantage:	1. High intension aluminum alloy raw material, light to carry. 2. Water proof. It can be used in raining or snowing environment. 3. Seal protection for normal working environment such as Standard Concrete Road, Flat Construction Site, High Way check, etc. 4. Load cell based with high Weighing In-Motion accuracy and OIML Standard Static accuracy. 5. Wide weighing pads even can carry one axle with 4 wheels. 6. Load cell over load protection with 120% overload protection. 7. Build-in Cable protector to avoid error when cable is broken. 8. Build-in anti-electromagnetic interference to make sure weighing result would not be influenced. 9. Build-in auto compensation system to compensate weighing error on double joint axle or triple joint axle. 10. 2 years warranty on non-human damage.			
Please Note:	The dimension of pads, weighing capability and cable length are all customizable in case of necessary.			

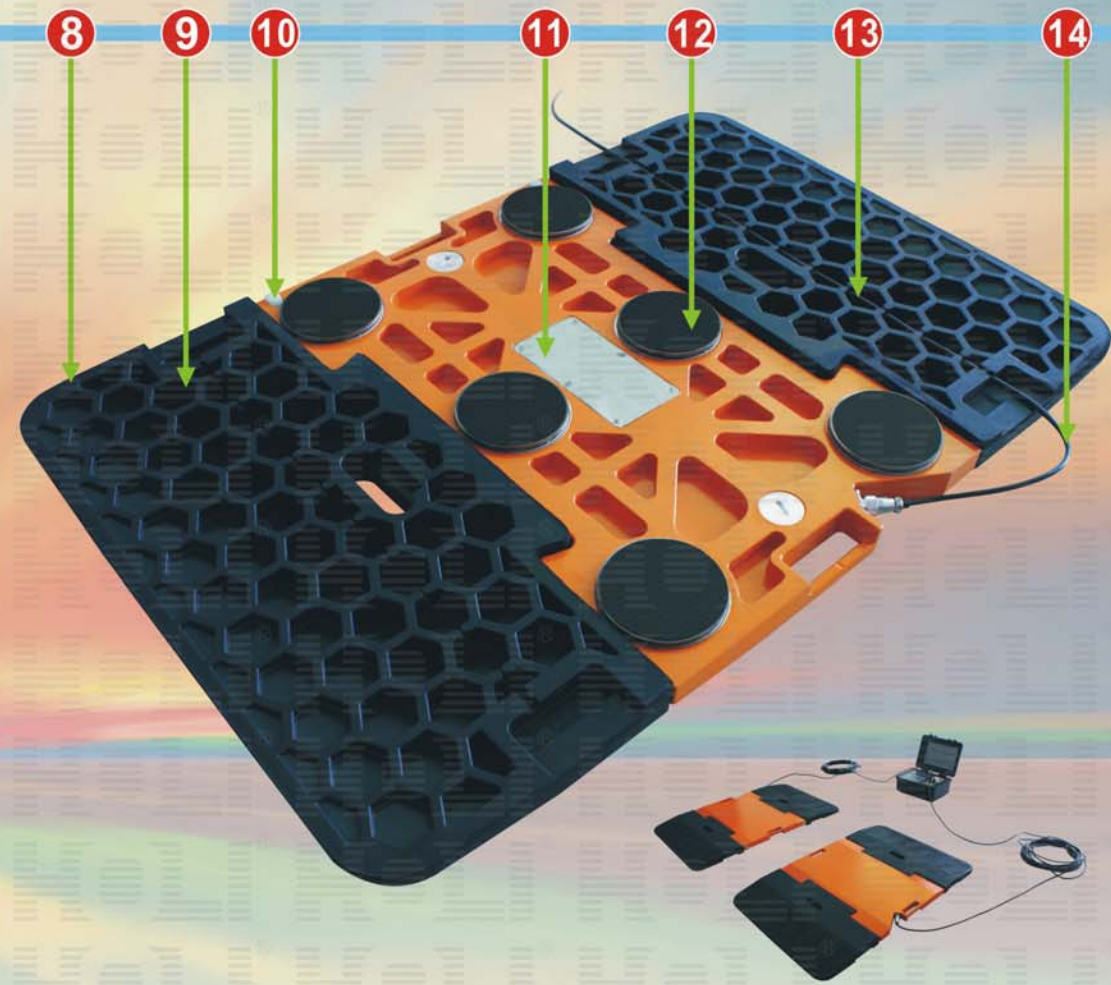
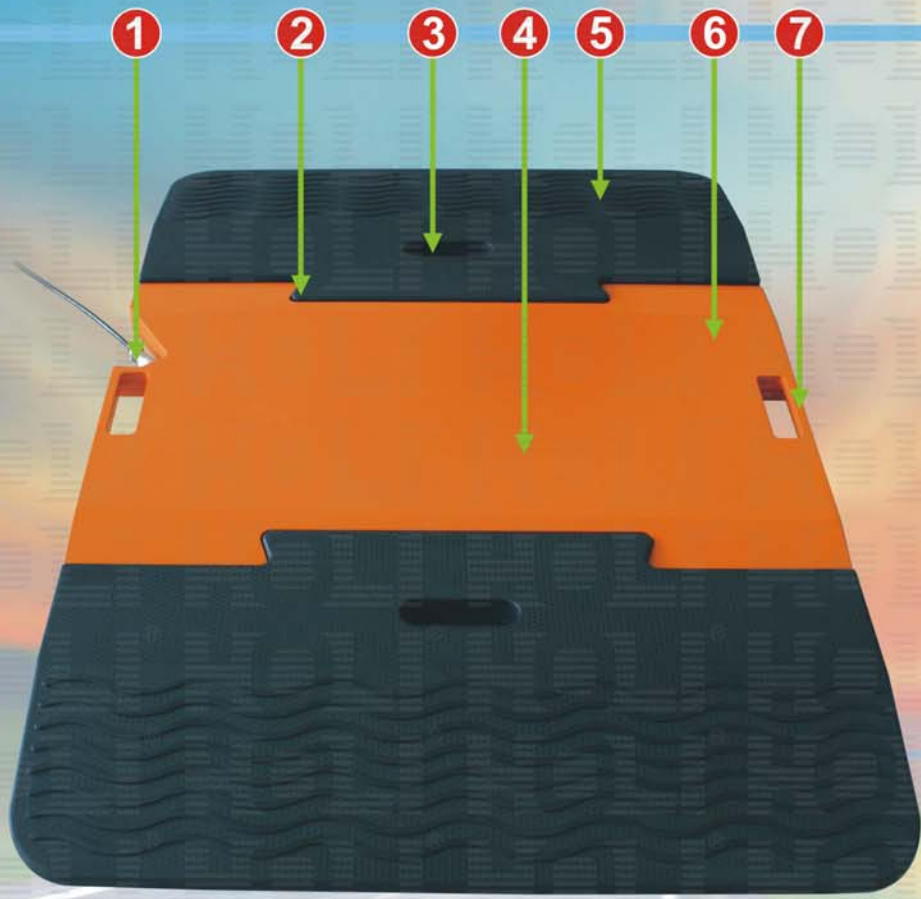
Detailed Specifications

Weighing Capability	Wheel Weight ≤ 44KLB (20t)		Temperature Compensation Range	-10~+50℃	
	Axle Weight ≤ 88KLB (40t)		Sensitive Influence by Temperature	0.1%/10℃	
	Whole Truck Weight ≤ 662KLB (300t) (Maximum 7 axles per truck)		Zero Temperature Influence	0.1%/10℃	
Static Accuracy	±0.07%	In-Motion Accuracy	±2.0%	Excitation Voltage	20V (DC)
Sensitive	1±0.2 MV/V	Nonlinearity	≤0.10%	Insulation Resistance	≥5000 MΩ(100VDC)
Repeatability	≤0.01%FS	Zero Output	4~10%	Working Temperature	-40~+80℃
Input Impedance	120±10Ω	Output Impedance	110±10Ω	Overload Protection	120%



Unit:





- 1
Military grade waterproof plug components - WATERPROOF, STRONG, DURABLE.
- 2
The ramps and weighing platform equipped with V type connection - convenient to use.
- 3
The ramps with handle hole structure, convenient to take.
- 4
The platform equipped with high strength aircraft grade aluminum. CNC precision machining processes integrated forming synthesis Strong, Durable, Light and Beautiful.
- 5
The ramps surface with double antiskid texture design. FASHION ATTRACTIVE, ANTISKID.
- 6
The weighing platform surface is coated by military grade power Wear-proof and Antiskid, Attractive and Durable.
- 7
The platform is convenient to take with handle.
- 8
High-quality natural rubber or PU rubber-precision mold produce Delicate, Beautiful, Strong and Durable.
- 9
Unique hexagonal honeycomb shape and high strength design. Light, Strong, Attractive and Reasonable.
- 10
The platform is with wheels, and easy to move.
- 11
The IP68 water-proof designed Junction box can ensure reliable in damp environment.
- 12
The weighing scale equipped with 5pcs high accuracy load cell. The high accuracy load cell has larger capacity to be accurate and reliable. And the unique design patent structure, equipped with double fixed supporting feet, hardly to fall, and convenient to replacement.
- 13
The backside of ramps has crossed line. It prevents cable to move and protect cable to be damaged by wheel. Easy to use, Safe and Reliable.
- 14
PU high accuracy signal cableproof pressure and fastness, enduring high and low temperature.

Give us a chance, we can weigh the earth!